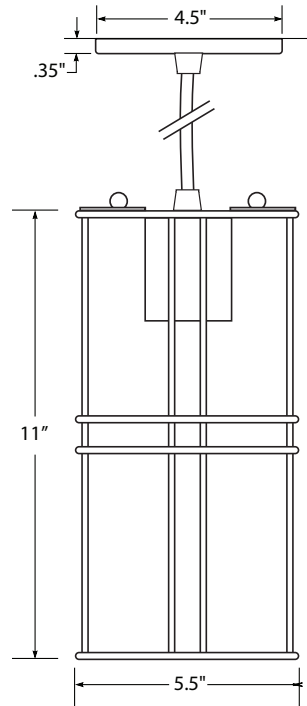


# Reveal Intersect Pendant P1204RV

Design modifications are always welcome.



- Welded steel
- 6' black cord
- Canopy finished to match frame
- Mounts to standard J-box
- Suitable for damp locations

weight: 4 lbs  
 US LISTED  
 MADE IN USA

P1204RV			INC 1/Med. Base	120V	
	<b>CORD COLOR</b>	<b>FINISH</b>	<b>LAMPING</b>	<b>VOLTAGE</b>	
	Black	F2 Chrome F3 Black F4 Earth F5 Copper F6 Brass F7 Bronze F8 Steel F10 Hammered Copper F11 White	INC 1/Med. Base Lamping not included	120V	

## + OPTIONS

### SUSPENSION OPTIONS

**STM** - Field Cuttable Ball Swivel Stem with 1.78" deep canopy. Specify length in 1' increments.

**CXX** - Cord Extra (Specify length)

**CXS** - Cord Braided Silver

**A100** - Wall Mount Arc 10"

**A200** - Wall Mount Arc 34"

**B100** - Wall Mount Linear 7"

**B200** - Wall Mount Linear 18"

### CANOPY OPTIONS

**CAC** - Canopy Alternative Color

**CF6** - Flair Canopy 6" Dia

**CF105** - Flair Canopy 10.5" Dia

**CSF5** - Swivel Stem on CF5

**CSF6** - Swivel Stem on CF6

**CSF105** - Swivel Stem on CF105

**CR432** - Cluster Canopy\* 4.5" x 42"

**CR860** - Cluster Canopy\* 8" x 60"

**CC105** - Cluster Canopy\* 10.5" Dia

**CC240** - Cluster Canopy\* 24" Dia

**C66** - Square Canopy 6"

**C1010** - Square Canopy 10"

\* Specify arrangement and heights.

Project Name

Specifier Name & Location

Quantity

Notes



Lumetta Inc., 33 Minnesota Ave., Warwick, RI 02888 t 401-691-3994 f 401-921-1310 [www.lumetta.com](http://www.lumetta.com)

This design is the intellectual property of Lumetta, Inc. All rights reserved. Specifications are subject to change without notice.