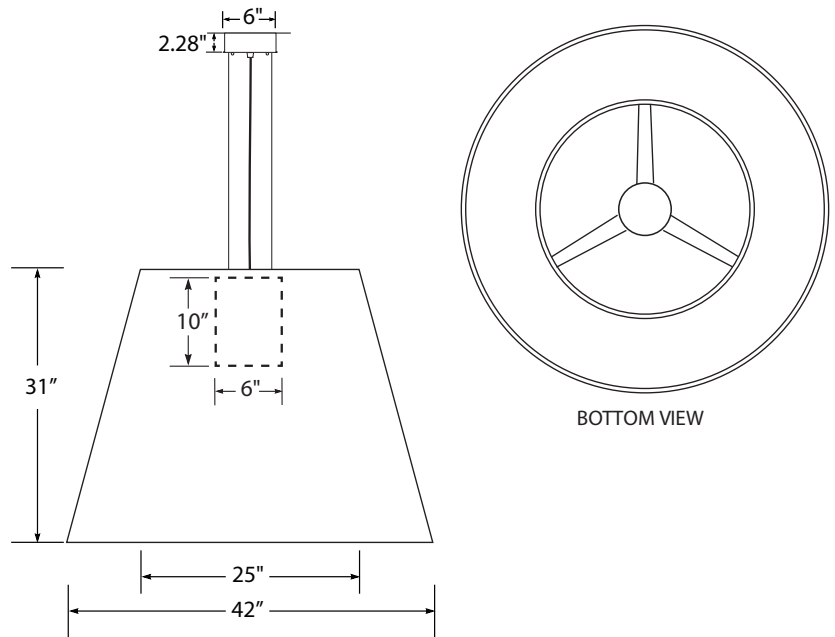


Taper 42" L2 Pendant PT4231L2

Design modifications are always welcome.



- Welded steel / aluminum / acrylic
- Two shades
- 6' black or white cord
- Two suspension cables
- Canopy finished to match frame
- Mounts to standard J-box
- Suitable for damp locations

weight: 12 lbs

US LISTED
MADE IN USA

PT4231L2		outer	inner			
CORD COLOR	FINISH	SHADES		LAMPING		
<input type="checkbox"/> Black <input type="checkbox"/> White	F2 Chrome F3 Black F4 Earth F5 Copper F6 Brass F7 Bronze F8 Steel F10 Hammered Copper F11 White	View L2 Lumenate® Shade Choices View L2 Acoustic Shade & Lens Choices Select an inner shade and an outer shade. Keep in mind that the outer shade layer is opaque to enhance the inner color and/or graphics.		L411 - LED 1190 Delivered Lumens 21W 3000K Dimming: 0-10V 1% UNV or 120V Phase Please contact customer service for component specifications including additional color temperatures.		
				INC 1/Med. Base	VOLTAGE 120V 277V	

+ OPTIONS

SUSPENSION OPTIONS

- STM** - Field Cuttable Ball Swivel Stem with 1.78" deep canopy. Specify length in 1' increments.
- CXX2** - Cord Extra (Specify length)
- CXS2** - Cord Braided Silver

CANOPY OPTIONS

- CAC** - Canopy Alternative Color
 - CF105** - Flair Canopy 10.5" Dia.
 - C66** - Square Canopy 6"
 - C1010** - Square Canopy 10"
 - CLUSTER CANOPIES** - See website for a variety of sizes and options. Specify arrangement and heights.
- NOTE: All canopy options for LED requires a custom 2.28" height.*

LENS OPTIONS

- LTA** - Lens Top Acoustic
NOTE: Available for Acoustic shades only

LED OPTIONS

- EMR** - Remote Emergency Battery Backup
Requires Stem or 2 Power Cords

Project Name	Specifier Name & Location	Quantity
<input type="text"/>	<input type="text"/>	<input type="text"/>



Notes