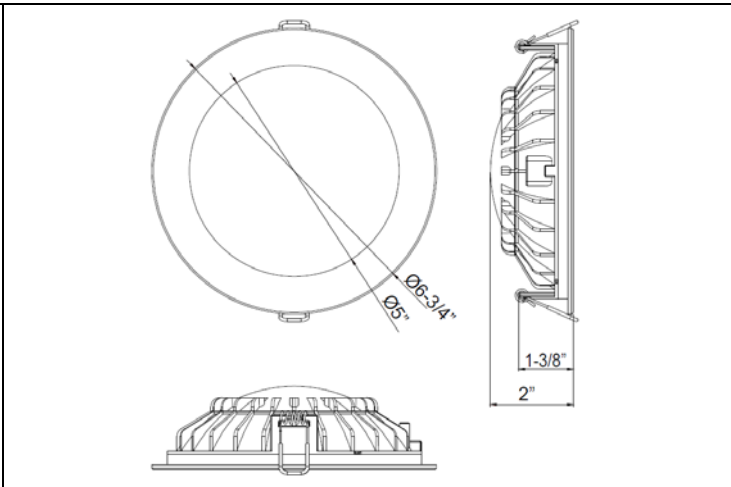




RLF-5115

5" ROUND RECESSED LED INDIRECT FIXTURE LED RECESSED DOWNLIGHTS

Type	
Project	
Catalog No.	



DESCRIPTION

This LED recessed indirect fixture is designed to emit a soft glow, rather than harsh direct lighting. It is virtually impossible to see the hidden light source, which bounces the light off the inside of the dome to produce a diffused, yet functional light. A very high color rendering index (CRI) of 90 and JA8 and T24 compliant. At just around one and a half inches high, IC and Airtight rated, it can be installed wherever plenum space is at a premium.

FEATURES

- Engineered round dome design provides perfectly diffused light output
- High output LEDs positioned pointing upwards, providing an indirect downlight and eliminating glare
- TITLE 24 JA8 compliant
- IC and Airtight rated
- CRI of 90+, R9>50
- Hidden light source produces an evenly diffused output with no glare
- Integrated die-cast aluminum trim and heat sink
- TRIAC Dimmable
- Fits onto a minimum 1/4" and maximum 1" ceiling thickness.
- Includes remote driver with positive-lock cable
- Junction box containing the driver is supplied with two 3/4" knockouts
- Can-less design for easy installation in tight plenum spaces
- Listed for through-branch wiring

SPECIFICATIONS

Model	RLF-5115
Description	5" Round LED Recessed Downlight
Inside Aperture	5" Ø
Outside Dimensions	6-3/4" Ø x 2" H
Driver Dimensions	3-1/2" L x 3-1/2" W x 1-3/8" H
Input Voltage	120 VAC 60Hz
Power Factor	>0.90
CCT	3000K, **2700K, ** 3500K, **4000K, **5000K
CRI	90+
Wattage	15W
Lumens	1000 Lm
Efficacy	67 Lm/W
Beam Angle	110°
Dimmable	TRIAC (100%-10%)
Lamp Life*	50,000 hours
Dimensions	See Dimensional Drawings
Ceiling Cutout	6-3/16"
Environment	Indoor – Dry
Rating	IC, Airtight

Certifications[†]		
Warranty	5 years – see published warranty terms for detailed information	

* At 70% brightness
 ** Contact Factory
 † 3000K, 3500K, 4000K CCT are TITLE 24 JA8 compliant

ORDERING INFORMATION

MODEL	SIZE / SERIES	POWER	CCT / CRI	TRIM FINISH
RLF	51 51 – 5" Round	15 15 – 15W	3090 – 3000K / 90 CRI *2790 – 2700K / 90 CRI *3590 – 3500K / 90 CRI *4090 – 4000K / 90 CRI *5090 – 5000K / 90 CRI	WH WH – White Trim

*Contact Factory
 Example: **RLF-5115-3090-WH** (Recessed LED Fixture / 5" Nom. Round Fixture / 15W / 3000K - 90CRI / White Trim)

Note: Order number above is for Remodel applications. For new construction applications, add New Construction Mounting Plate – sold separately. See ordering information below for New Construction Mounting Plate.



www.jescolighting.com
 support@jescolighting.com
 Tech Support: 855.592.0029

15 Harbor Park Drive
 Port Washington, NY 11050
 Main Line: 800.527.7796
 Fax Line: 855.265-5768

219 South 6th Ave
 City of Industry, CA 91746
 Main Line: 626.333.3661
 Fax Line: 626.333.2955

6/16/2020



RLF-5115

5" ROUND RECESSED LED INDIRECT FIXTURE
LED RECESSED DOWNLIGHTS

Type	
Project	
Catalog No.	

5" ROUND APERTURE NEW CONSTRUCTION FRAME (Sold separately)



Ordering Information

MODEL	DESCRIPTION
RLF-51F	5" round aperture new construction frame with snap-on locations for the fixture and junction box

PHOTOMETRIC DATA

